

Installation Instructions - rPODLA Wall Switch

**READ AND FOLLOW ALL SAFETY INSTRUCTIONS!
SAVE THESE INSTRUCTIONS AND DELIVER TO OWNER AFTER INSTALLATION**

IMPORTANT SAFETY INSTRUCTIONS



WARNING! RISK OF SEVERE INJURY OR DEATH

To reduce the risk of death, injury or property damage from fire, electric shock, cuts, abrasions, falling parts, and other hazards:

- Read all warnings and instructions included with and on the fixture box and all fixture labels.
- Installation and service should be performed by a qualified licensed electrician.
- Maintenance must be performed by a person familiar with the construction and operation of this product and any hazards involved. All applicable codes and ordinances must be followed.
- Read this document before installing, servicing, or maintaining this equipment. These instructions do not cover all installation, service, and maintenance situations. If your situation is not covered, or if you do not understand these instructions or additional information is required, contact Acuity Controls.



WARNING! RISK OF ELECTRIC SHOCK

Before installing, servicing, or maintaining this equipment, follow these general precautions.

To reduce the risk of electrocution:

- Disconnect or turn off power before installation or servicing.
- Make sure the equipment is properly grounded.
- Make all electrical connections in accordance with the National Electrical Code (NEC) and any applicable local code requirements.



WARNING! RISK OF FIRE

To reduce the risk of fire:

- Use supply conductors with a minimum operating temperature rating as specified.
- Do not exceed maximum wattage, ratings, or published operating conditions.
- Follow all manufacturer's warnings, recommendations and restrictions to ensure proper operation.



WARNING! RISK OF PERSONAL INJURY

To reduce the risk of personal injury from cuts, abrasions:

- Wear gloves and safety glasses at all times when installing, servicing or performing maintenance.



WARNING! RISK OF PRODUCT DAMAGE

Electrostatic Discharge (ESD) will damage electronic equipment. Do not attempt to open or service electronic equipment without proper ESD precautions.

- Do not touch electronic components. ESD damage can occur.
- Do not change or alter internal wiring or circuitry.

Acuity Controls assumes no responsibility for claims arising out of improper or careless installation or handling of this product. Failure to follow any of these instructions could void product warranty.

For a complete listing of product Terms and Conditions, please visit www.AcuityControls.com

Always read complete installation instructions prior to installation!

SAVE THESE INSTRUCTIONS

Contains FCC ID: 2ADCB-RMODIT or 2ADCB-RMODIT3
Contains IC: 6715C-RMODIT or 6715C-RMODIT3
Contains IFETEL: RCPACRM18-1879 or RCPNLLN20-2057
Acuity Brands Lighting Inc. RMODIT

This device complies with Part 15 of the FCC Rules. Operation is subject to the following two conditions: (1) This device may not cause harmful interference, and (2) this device must accept any interference received, including interference that may cause undesired operation.

La operación de este equipo está sujeta a las siguientes dos condiciones: (1) es posible que este equipo o dispositivo no cause interferencia perjudicial y (2) este equipo o dispositivo debe aceptar cualquier interferencia, incluyendo la que pueda causar su operación no deseada.

Installation Instructions - rPODLA Wall Switch

rPODLA Basic Overview



The rPODLA is a wall switch that can be interconnected with the nLight® AIR network of wireless sensors and switches.

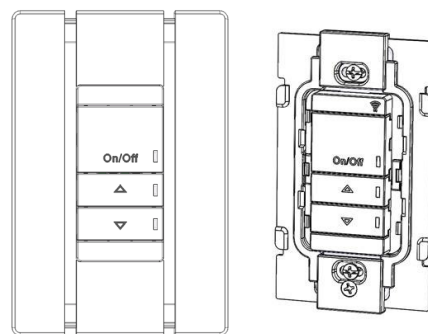
Mounting Instructions/Important Notes

INSTALLATION:

Installation of the rPODLA wall switch is simple, straight forward, and quick! Designed with embedded wireless control, this product is powered by existing line voltage power (120-347VAC). Follow the simple steps below to perform the mechanical installation of the rPODLA Wall Switch.

OUT-OF-THE-BOX WALL PLATE:

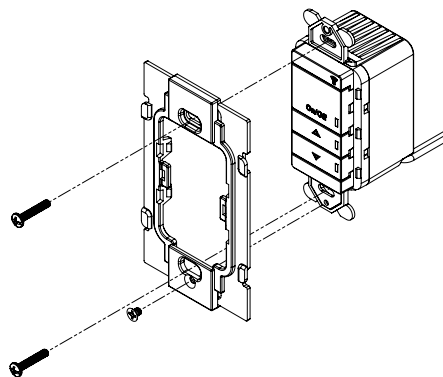
- Remove the wall plate from the device by pulling the sides out to expand the wall plate and release it from the mounting plate.
- Connect wires per the wiring diagram.
- Connect the unit to the gang box.
 - ♦ The unit will connect to the gang box by screws, one at the top and one at the bottom with the wall switch between the gang box and the mounting plate.
 - ♦ To ensure correct wall plate installation, drive the screws until the mounting plate contacts the wall surface. If the screws are overdriven, the mounting plate will disengage, preventing wall plate installation. If this happens, reattach the mounting plate and install to correct position. (The mounting plate may be snapped back in place by aligning the 2 tabs on each side of the switch with the inserts on the mounting plate.)
- Reattach the wall plate.
 - ♦ Expand the wall plate horizontally.
 - ♦ Place the wall plate onto the unit.
 - ♦ Contract the horizontally expanded wall plate onto the unit such that the mounting plate features seat inside the wall plate.
- DONE!



OUT-OF-THE-BOX DECORA WALL PLATE:

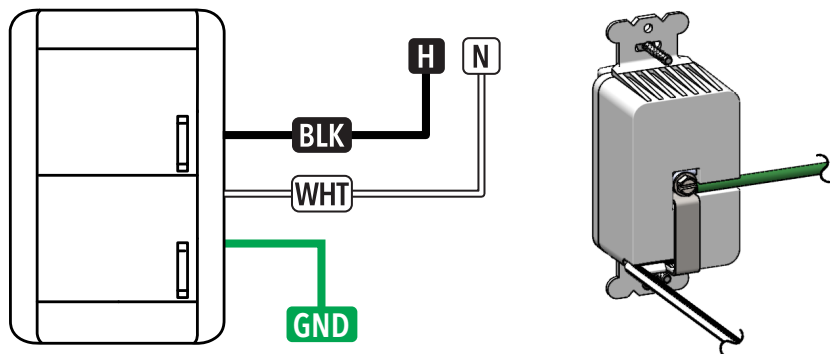
When installing the unit with UL Listed off-the-shelf wall plates, the following steps should be followed.

- Remove the Acuity wall plate from the device by pulling the sides out to expand the wall plate.
- Unscrew both mounting screws and the fastening screw between the mounting plate and the switch.
- Remove the mounting plate by pulling the mounting plate away from the switch. There are 2 tabs on each side of the mounting plate that will disengage from the switch.
- Connect the unit to the gang box.
 - ♦ The unit will connect to the gang box by screws, one at the top and one at the bottom.
- Attach the UL Listed wall plate.



NOTE

To ensure optimum wireless performance, we recommend plastic wall plates and to avoid using metal wall plates



DEVICE PROGRAMMING:

Single Pole and Two Pole Switches:

- Add the rPODLA to the appropriate nLight AIR group using the Clarity Pro mobile app.
- Create a switch behavior in behavior zones, select the pole(s) and select the devices you want to be controlled.
- SAVE behavior zones.

Preset Scene Control Switches:

- Add the rPODLA to the appropriate nLight AIR group using the Clarity Pro mobile app.
- Create a preset scene behavior in behavior zones, select the scene(s) and select the devices you want to be controlled. Adjust dim levels and choose preset lockout option. Further refining can be accomplished with the Customize option.
- SAVE behavior zones.

NOTE

If manual change is selected in the preset lockout, users will be able to change the scene levels via push and hold on the switch. Change light levels as desired and hold the appropriate preset scene button for 5 seconds. Once the button begins flashing rapidly, release to save the new preset scene. Lights will dim down and back up to identify the the preset scene level has saved successfully. Holding the button for greater than 10 seconds will bring the switch into a wake-up mode (identified by all LEDs lit solid) and the preset scene changes will not save.